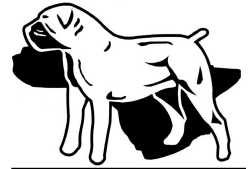




South African Boerboel Breeders Association Registration Certificate

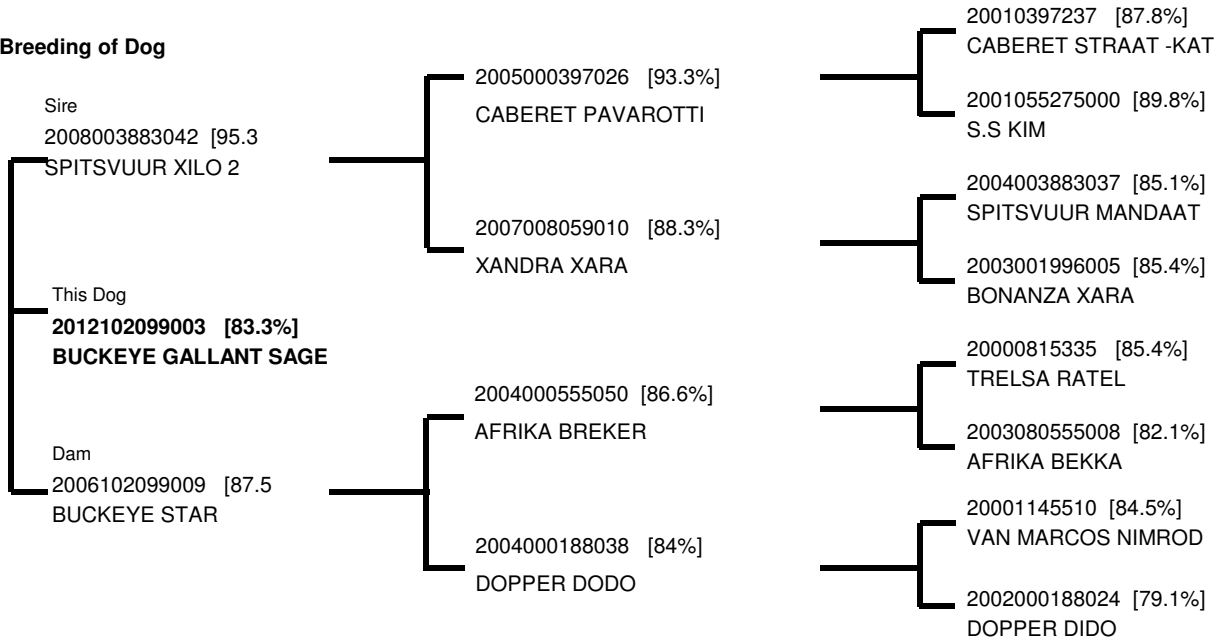


Name **BUCKEYE GALLANT SAGE**

653831162039806151211102211

Registration No.	2012102099003	Date of Birth	2012/05/07	Gender	Female
Appraisal Status	Registration register	Colour	Brown	Mask	Strong
Appraisal Date	2013/05/19	Appraisal Venue	MARIPOSA	I-PET No.	4C2205YE6C
Final Appraisal Point	83.3%				

Breeding of Dog



Classification		
Gen. Appearance	[8] :	6.40
Head	[7] :	4.90
Plateau	[3] :	2.40
Face	[6] :	5.40
Muzzle	[3] :	2.40
Eyes	[3] :	3.00
Ear flaps	[3] :	2.70
Neck	[5] :	4.50
Body	[6] :	4.80
Chest	[4] :	2.80
Fore Quarter Shoulders	[3] :	2.70
Front Legs	[3] :	2.40
Pasterns	[2] :	1.80
Front Paws	[4] :	3.60
Hind Quarter	[15] :	10.90
Skin/Coat	[5] :	5.00
Health	[4] :	4.00
Temperament	[8] :	8.00
Movement	[8] :	5.60

Owner
K. HERZOG [115723]

6039 SPRING VALLEY DR.
ATWATER USA
CA 95301

Breeder
J. MACHOVINA [102099]

10220 REED ROAD
COLUMBIA STATION, OHIO
44028, USA

Certified correct

SABT Registration Officer

Any changes or alterations which is not signed by the registration officer will void this document.